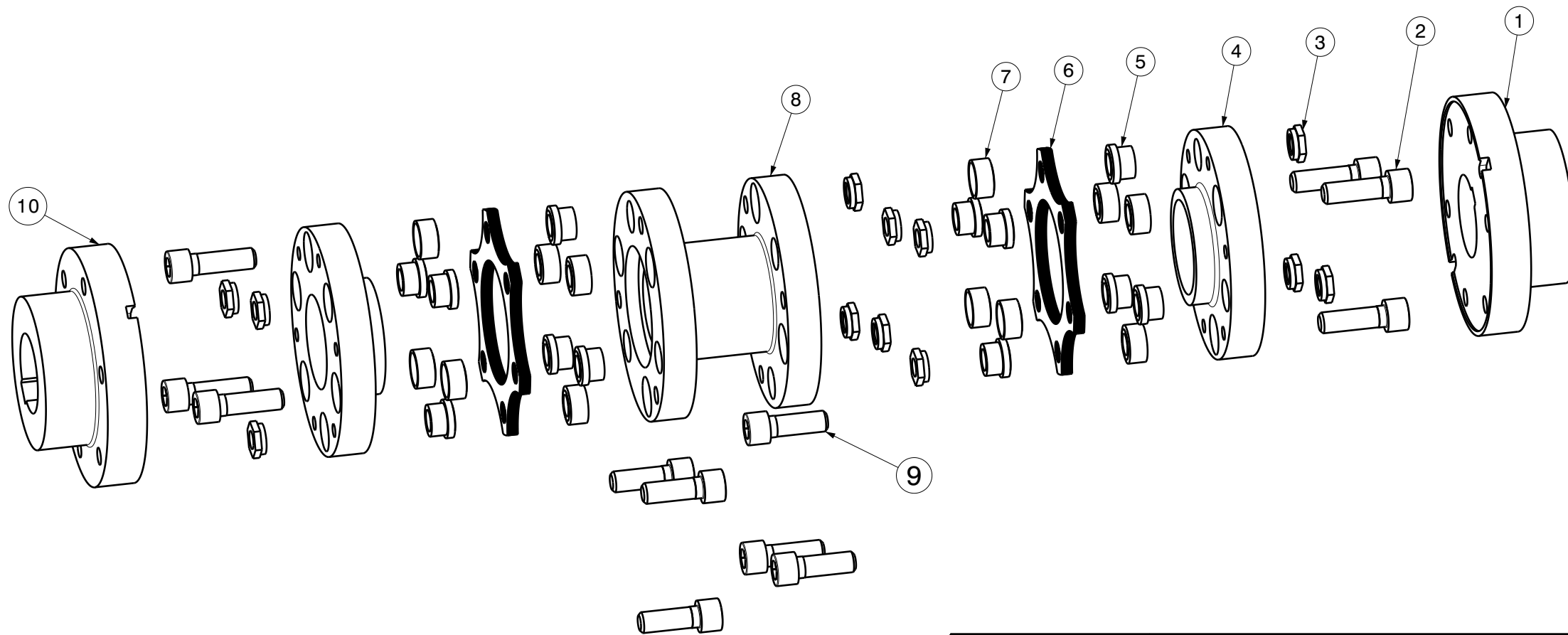

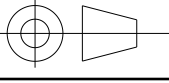


Item	Part Name	Qty.
1	Hubs With Puller Holes-Pump	1
2	Socket Screw	6
3	Nut	12
4	Anti-Corrosion Treatment	2
5	Bush Fit	12
6	Membranes	12
7	Bush	12
8	Cartridge Transmission Unit	1
9	Socket Screw	6
10	Hubs With Puller Holes-EM	1



General Tolerance: ISO 7168 class F		General Surface Roughness: 3.2 / 1.6		ATEX	MATERIAL: 4140	STANDARD: API671		
Modify	Sign	Name	Data	Rev.	Data	Name	NONSPARK FLEXIBLE STAINLESS METAL PART	
--	.	.	.	1	Design 96/06/15	J.Alishah		
--	.	.	.	2	Check 96/12/05	R.Shokrollahi		
--	.	.	.	3	Approve 99/12/10	A.Shoureshi	AGMA CLASS9	
					 <a href="http://www.petrorahanpump.ir">www.petrorahanpump.ir</a>		 Scale: 1:14	Sheet 1 of 1 Size:A3