

A

B

C

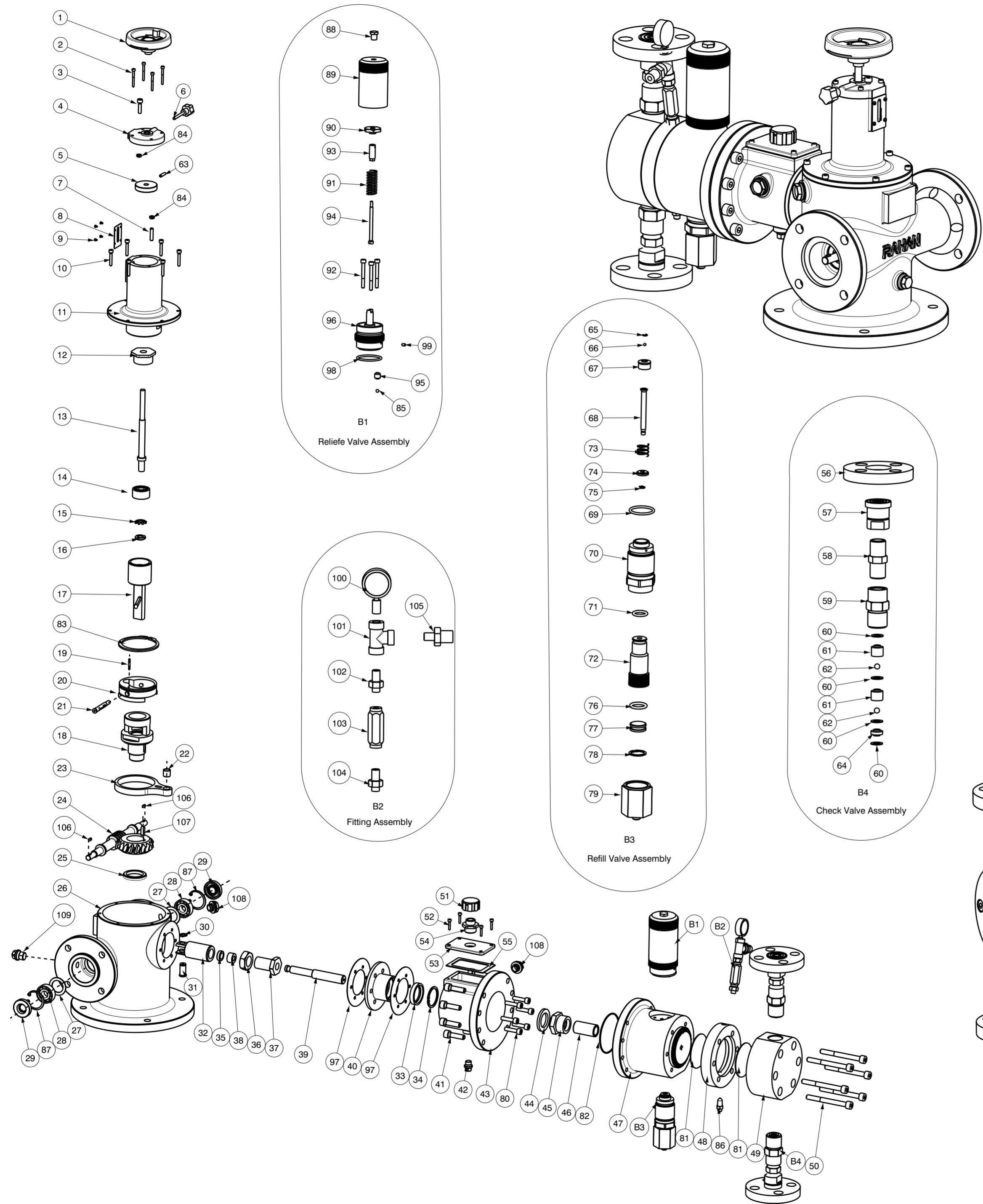
D

A

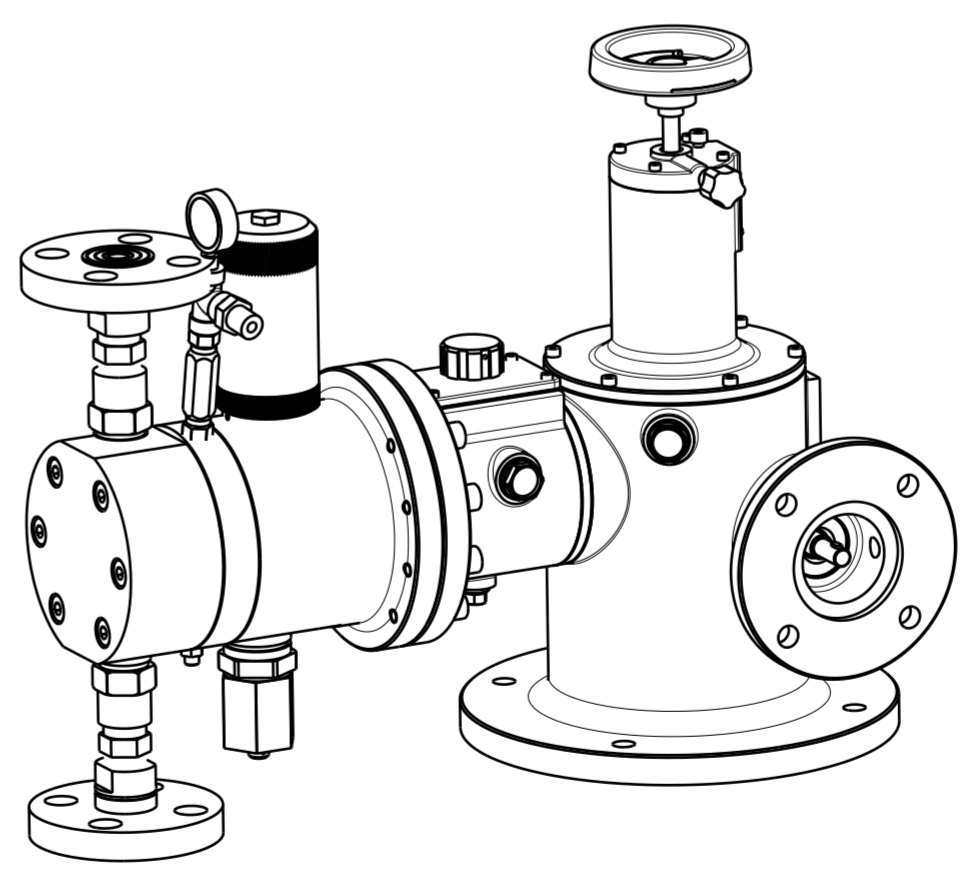
B

C

D



No.	Part Name	Part No.	Material	Qty	No.	Part Name	Part No.	Material	Qty
66	Ball	77.07	C.S	1	1	Handwheel	Handwheel	PVC	1
67	RF-Valve Seat	77.08	MO40	1	2	Hexagon Head Cap Screw	ISO 4762 M3x30	8.8	4
68	RF-Popet	77.09	MO40	1	3	Hexagon Head Cap Screw	ISO 4762 M5x20	8.8	1
69	O-Ring	DIN 3771	NBR	1	4	Scale Housing Cover	09.01	S.ST	1
70	RF-Valve Body	77.10	CK45	1	5	Indicator Nut	54.01	C.S	1
71	O-Ring	DIN 3771	NBR	1	6	Handle	DIN 6336 M4	C.S	1
72	RF-Valve Guide	77.11	CK45	1	7	Set Screw	ISO 4026 M5x20	8.8	1
73	Spiring	55.01	Spiring Steel	1	8	Graduaed Glass	Graduaed Glass	Glass	1
74	RF-Adjustment Nut	77.12	MO40	1	9	Screw	ISO 1207 M2x3	8.8	4
75	Circlip	-	-	1	10	Hexagon Head Cap Screw	ISO 4762 M4x25	8.8	6
76	O-Ring	DIN 3771	NBR	1	11	Scale Housing	09.02	GGG40	1
77	RF-Valve Guide Cover	77.13	CK45	1	12	Bearing holder Nut	54.02	CK45	1
78	Circlip	-	-	1	13	Adjusting Spindle	06.01	CK45	1
79	RF-Valve Cover	77.14	ST 37	1	14	Ball Bearing	3200	-	1
80	Hexagon Head Cap Screw	ISO 4762 M6x25	-	6	15	Lock Washer	MB_0	-	1
81	Diaphragm	02.01	PTFE	2	16	Lock Nut	KM_0	-	1
82	O-Ring	DIN 3771	NBR	1	17	Sliding Shaft	09.03	VCN150	1
83	Circlip	DIN471 d1=65	-	1	18	Hollow Shaft	09.04	VCN150	1
84	Nut	M5 DIN 4035	8.8	2	19	Set Screw	ISO 4026 M3_20	8.8	1
85	Ball	77.29	C.S	1	20	Eccenter Disk	06.02	MO40	1
86	Taper Seal Connection	53.03	-	1	21	Shouldered Bolt	53.01	1.7131	1
87	Circlip	DIN 472 d1=32	-	2	22	Bush(Connecting Rod)	36.01	Bronze	1
B1	Reliefe Valve Assembly	-	-	1	23	Connecting Rod	72.01	GGG50	1
88	Screw	G 1/8"x12	8.8	1	24	Worm Shaft /Worm Gear	21.01 & 21.02	VCN150/Phosphor bronze	1
89	RL-Valve Cover	77.22	ST 37	1	25	Sleeve Ring	31.01	MO40	1
90	RL-Adjustment Nut	77.23	MO40	1	26	Crank Case	01.01	GGG40	1
91	Spiring	55.02	Spiring Steel	1	27	Spacer Ring	31.02	C.S	2
92	Hexagon Head Cap Screw	ISO 4762 M6x45	8.8	3	28	Angular Contact Ball Bearing	7201	-	2
93	RL-Popet Setting Nut	77.24	MO40	1	29	Radial Shaft Seal	DIN 3760 A12x32x7	-	2
94	RL-Popet	77.25	MO40	1	30	Circlips	Din472/d1=10	-	1
95	RL-Valve Seat	77.26	CK45	1	31	Pin (Connecting Rod)	51.01	MO40	1
96	RL-Valve Body	77.27	CK45	1	32	Cross Head	74.01	MO40	1
97	Gasket	File	Paper	2	33	Radial Shaft Seal	DIN 3760 A28x38x7	-	1
98	O-Ring	DIN 3771	NBR	1	34	Circlip	DIN472d1=38	-	1
99	Set Screw	ISO 4026 M4x6	8.8	1	35	Plunger Stopper Flat	31.03	-	1
B2	Fitting Assembly	-	-	1	36	Nut	ISO 8675-M20	8.8	1
100	Pressure Gauge	40.01	C.S	1	37	Special Bolt (Plunger)	53.01	CK45	1
101	Tee Connection	40.02	C.S	1	38	Two piece Ring	31.04	-	1
102	Nipple 3/8" to 1/2"	40.03	C.S	1	39	Plunger	02.01	S.ST 316 L	1
103	Check Valve	40.04	C.S	1	40	Crank Case Cover	01.02	GG25	1
104	Nipple	40.05	C.S	1	41	Hexagon Head Cap Screw	ISO 4762 M8x30	8.8	8
105	Nipple	40.06	C.S	1	42	Screw Plug	DIN 910 G 1/8"	-	1
106	Key	File	-	2	43	Hydraulic Chamber	05.01	GG25	1
107	Key	File	-	1	44	Magnet	31.01	-	1
108	Sight Glass	G 1/8"	-	2	45	Nut Bushing	36.02	VCN150	1
109	Screw Plug	DIN 910 G 1/4"	ST.	1	46	Plunger Bushing	36.03	-	1
					47	Displacement Chamber	05.02	GG25	1
					48	Intermediate Part	05.03	-	1
					49	Liquid End (Casing)	01.03	-	1
					50	Hexagon Head Cap Screw	ISO 4762 M6x80	8.8	6
					51	Filling Plug	62.01	-	1
					52	Hexagon Head Cap Screw	M3x16	8.8	4
					53	Cover	09.05	C.S	1
					54	Clips	62.02	-	1
					55	Gasket	File	-	1
					B4	Check Valve Assembly	-	-	2
					56	Flang	01.04	-	2
					57	Fitting1	77.01	-	2
					58	Fitting2	77.02	-	2
					59	Valve Body	77.03	-	2
					60	Spacer Ring1	31.04	-	8
					61	Ball Valve Guide	77.04	-	4
					62	Ball	77.05	-	2
					63	Set Screw	ISO 4026 M4x16	8.8	1
					64	Valve Seat	77.06	-	2
					B3	Refill Valve Assembly	-	-	1
					65	Circlip	DIN 6799	-	1



Service:CHEMICAL	Standard: API 675	ATEX COMPLIABILITY	RAPTURE DETECTOR	Pump Type:Positive Diplacement Reciprocating Diaphragm Simplex
Modify	Sign Name Date Rev.	Date	Name	DWG No.: DPG1P-A1.XP-00
	- - - 1	Design 1401/10/25	ME.Mirzabeigi	Material class: AS PER REQUEST
	- - - 2	Check1 1401/10/25	G.Eslami	HYDRULIC ACTUATED
	- - - 3	Check2 1401/10/25	R.Shokrollahi	HIGH PERSION STROKE ADJUSTMENT
	- - - 3	Approve 1401/10/25	A.Shoureshi	HIGH PRESSURE PERFORMANCE
 www.petrarahanpump.ir				DOUBLE DIAPHRAGM & DOUBLE CHECK VALVE ABILITY
				Scale: 9:50
Sheet 1 of 1		Size: A2		