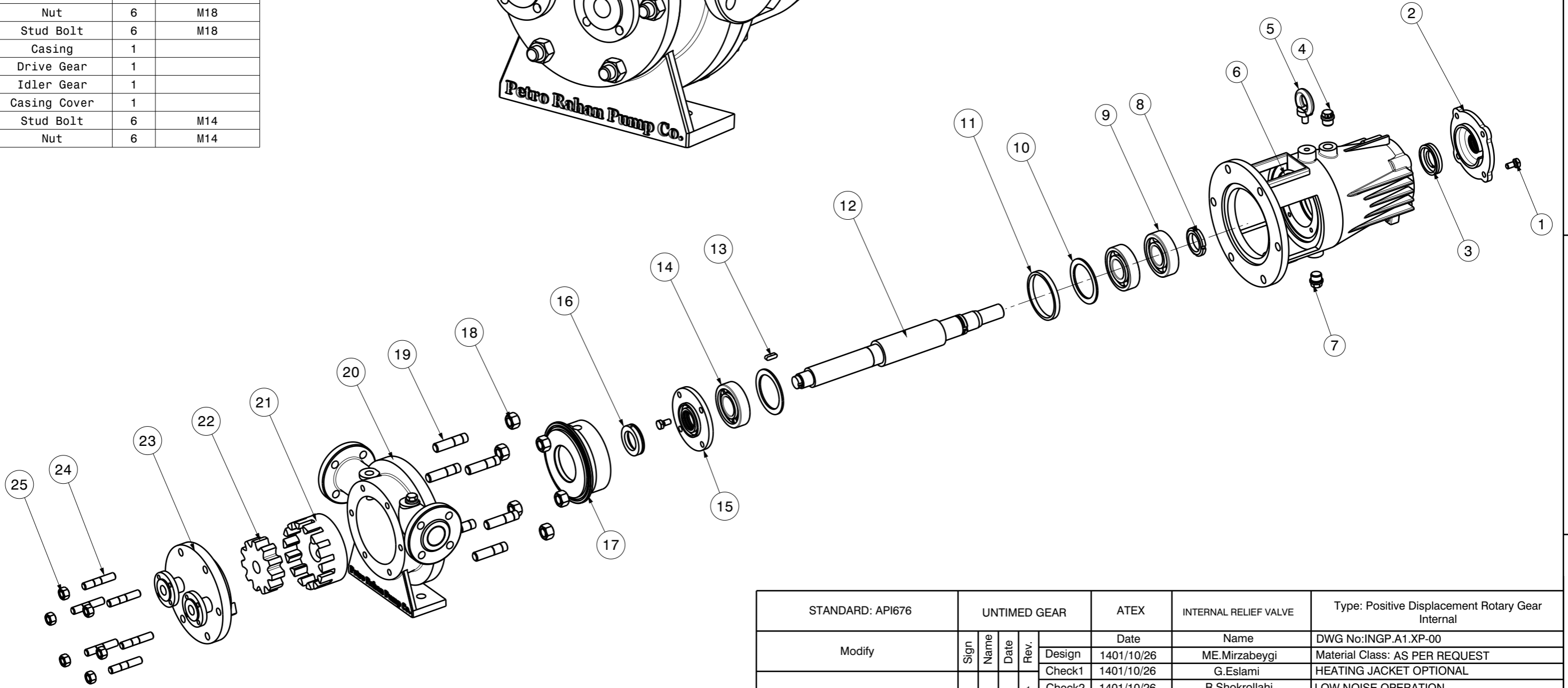
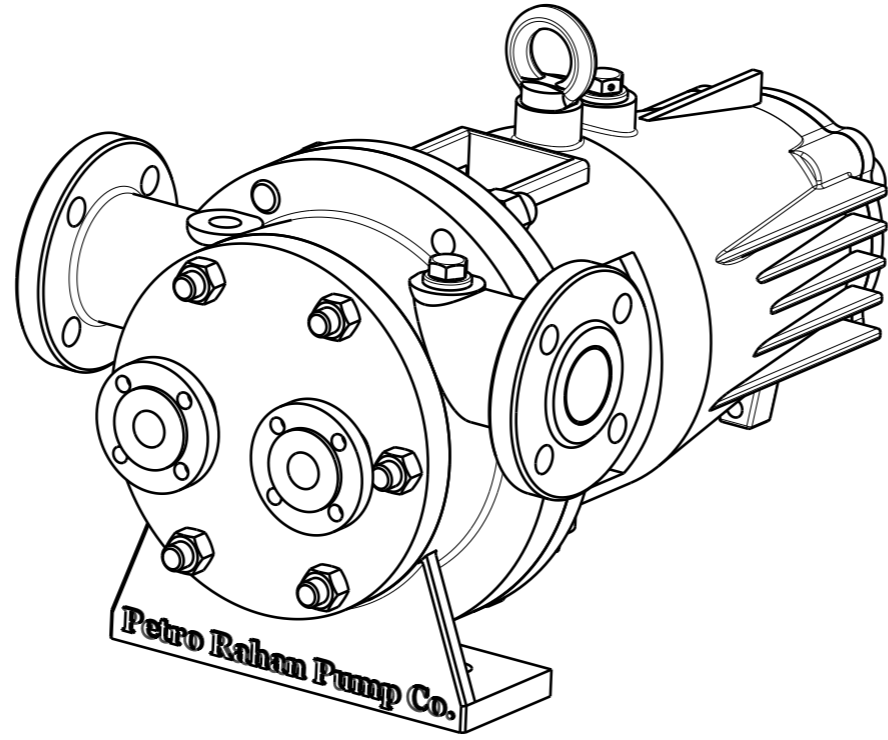

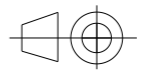


| Item | Part Name        | Qty. | Description |
|------|------------------|------|-------------|
| 1    | Screw            | 1    | M10x20      |
| 2    | Delivery Cover-1 | 1    |             |
| 3    | Seal Ring-1      | 1    | Standard    |
| 4    | Drain Plug       | 1    |             |
| 5    | Eye Bolt         | 1    |             |
| 6    | Bearing Housing  | 1    |             |
| 7    | Screw Plug       | 2    |             |
| 8    | Lock Nut         | 1    |             |
| 9    | Ball Bearing     | 2    | 90x40x23    |
| 10   | Ring             | 2    |             |
| 11   | Oil Ring         | 1    |             |
| 12   | Shaft            | 1    |             |
| 13   | Key-1            | 1    |             |
| 14   | Roll Bearing     | 1    | 90x40x23    |
| 15   | Delivery Cover-2 | 1    |             |
| 16   | Seal Ring-2      | 1    |             |
| 17   | Mechanical Seal  | 1set |             |
| 18   | Nut              | 6    | M18         |
| 19   | Stud Bolt        | 6    | M18         |
| 20   | Casing           | 1    |             |
| 21   | Drive Gear       | 1    |             |
| 22   | Idler Gear       | 1    |             |
| 23   | Casing Cover     | 1    |             |
| 24   | Stud Bolt        | 6    | M14         |
| 25   | Nut              | 6    | M14         |



| STANDARD: API676 |      | UNTIMED GEAR |      | ATEX         | INTERNAL RELIEF VALVE   | Type: Positive Displacement Rotary Gear Internal |               |
|------------------|------|--------------|------|--------------|---|--|---------------|
| Modify           | Sign | Name         | Date | Rev.         | Date  | Name   |               |
|                  |      |              |      |              | Design  | 1401/10/26                                       | ME.Mirzabeygi |
|                  |      |              |      |              | Check1  | 1401/10/26                                       | G.Eslami      |
|                  |      |              |      |              | Check2  | 1401/10/26                                       | R.Shokrollahi |
|                  |      |              |      |              | Approve   | 1401/10/26                                       | A.Shoureshi   |
|                  |      |              |      | 2            |   |  |               |
|                  |      |              | 3    | Scale: 9:100 |   |  | Sheet 1 of 1  |