

1 2 3 4 5 6 7 8

A

A

B

B

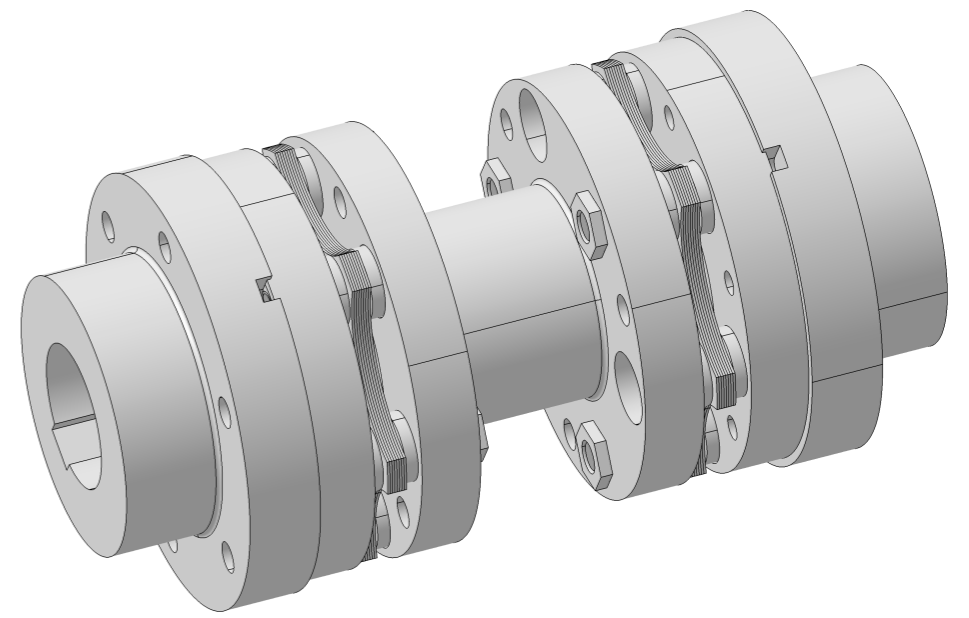
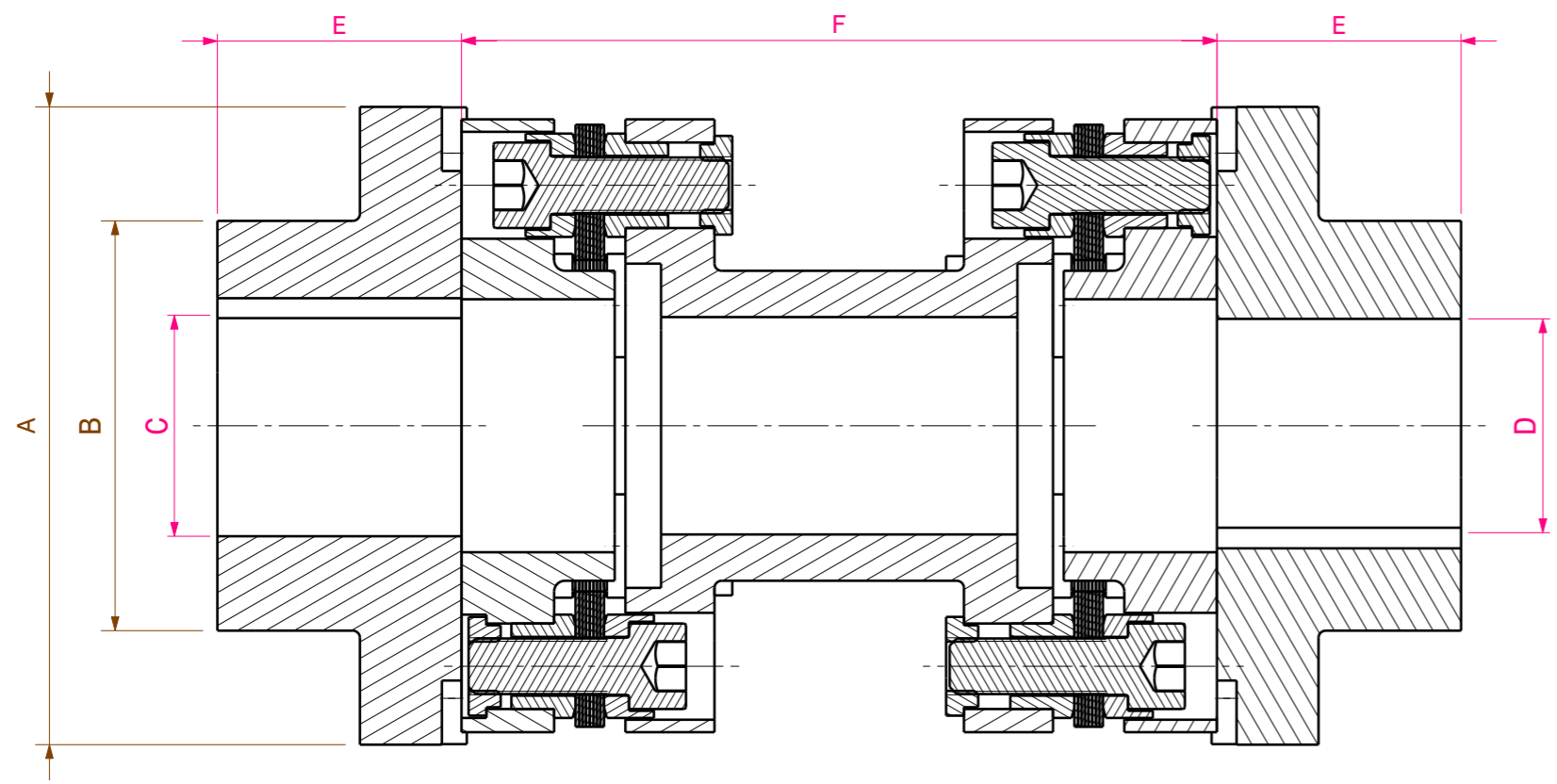
C

C

D

D

SIZE	A	B	C(Max)	D(Max)	E	F(Min)
0013	86	54	36	51	40	66
0033	105	69	46	70	45	79
0075	130	90	65	90	55	99
0135	152	112	80	102	62	121
0230	179	131	90	121	70	130
0350	197	163	115	-	90	131
0500	222	181	127	-	95	133
0740	247	206	140	-	107	138
0930	272	223	155	-	115	148
1400	297	248	172	-	130	171



General Tolerance: ISO 7168 class F		General Surface Roughness: 3.2 / 1.6		ATEX	MATERIAL: 4140	STANDARD: API671	
Modify	Sign	Name	Data	Rev.	Data	Name	NONSPARK FLEXIBLE STAINLESS METAL PART
--	.	.	.	1	Design 96/06/15	J.Alishah	
--	.	.	.	2	Check 96/12/05	R.Shokrollahi	
--	.	.	.	3	Approve 99/12/10	A.Shoureshi	AGMA CLASS9
		RAHAN www.petroarahanpump.ir		Scale: 1:14		Sheet 1 of 1	

1 2 3 4 5 6 7 8