
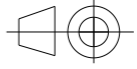
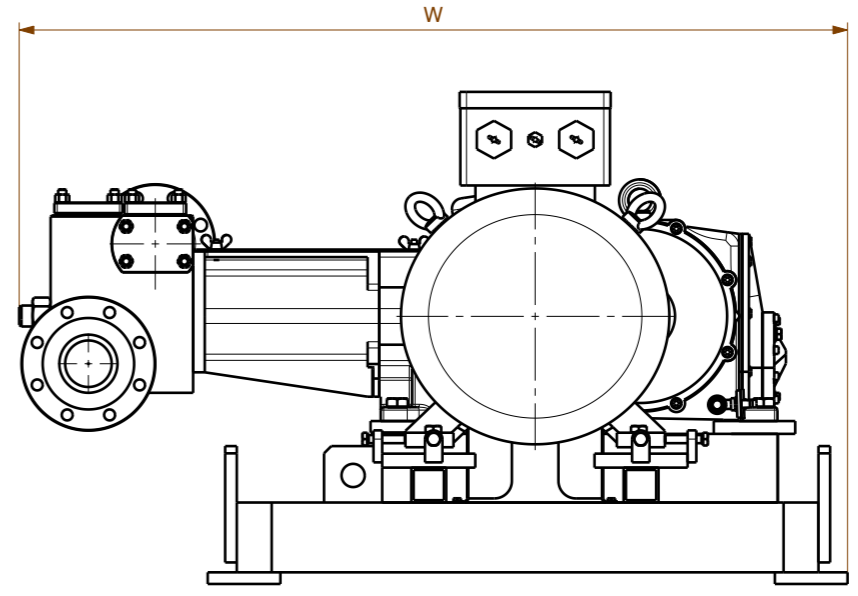
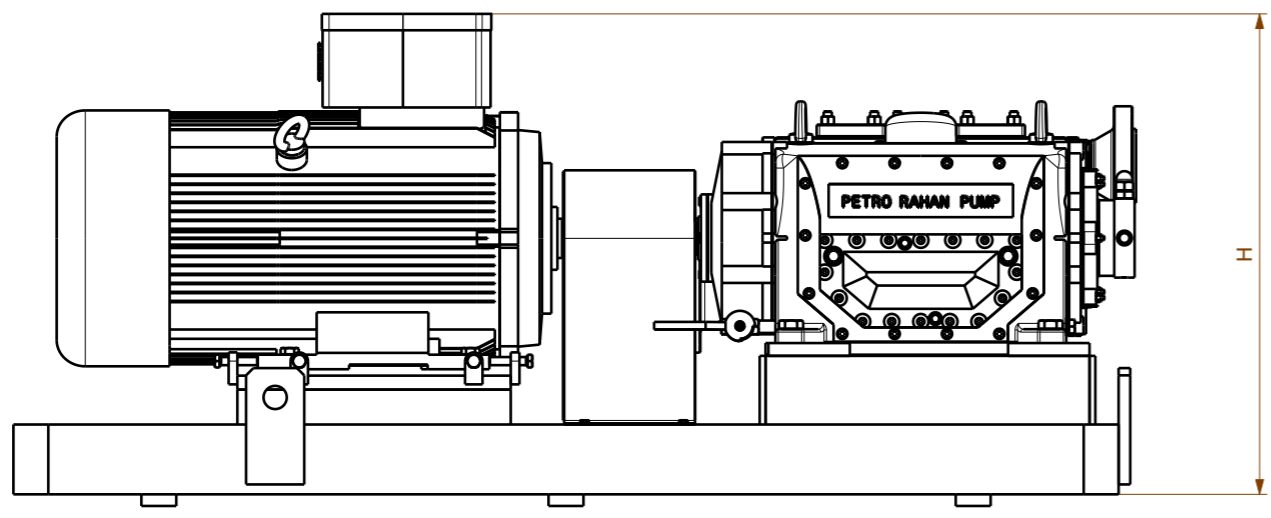


PUMP SIZE	L	W	H
PLG3P A	1150	720	465
PLG3P B	1620	980	610
PLG3P C	2000	1450	970
PLG3P D	2260	1620	1000

STANDARD: API674	INTEGRAL GEARBOX				ATEX	DISK TYPE CHECK VALVE	Type: Reciprocating Plunger Single Acting Triplex pump	
Modify	Sign	Name	Date	Rev.	Date	Name	DWG No: PR97-0071-C1.GA-00	
					Design	1401/10/26	ME.Mirzabeygi	Material Class: AS PER REQUEST
					Check1	1401/10/26	G.Eslami	FORCE LUBRICATED CAPABILITY
					Check2	1401/10/26	R.Shokrollahi	LOW NOISE GEARBOX
				Approve	1401/10/26	A.Shoureshi	SERVICE: OIL & GAS	
				2	 		CONVENIENT MAINTENANCE	
			3	Scale: 9:100			Sheet 1 of 1	Size: A3

1 2 3 4 5 6 7 8

A



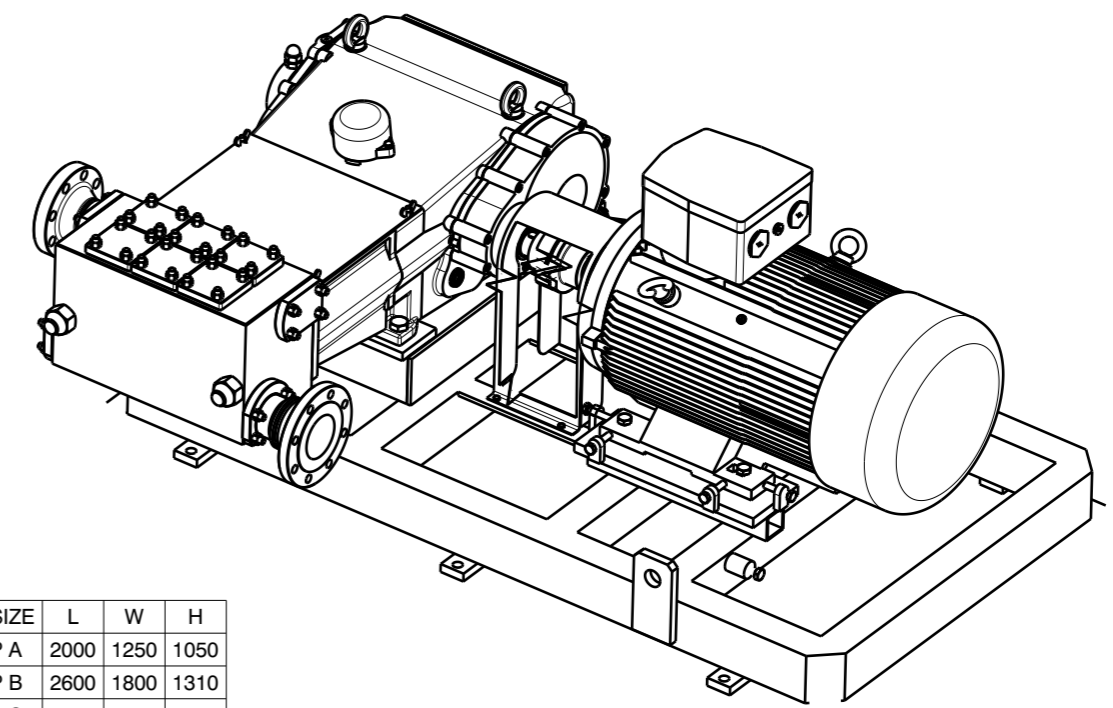
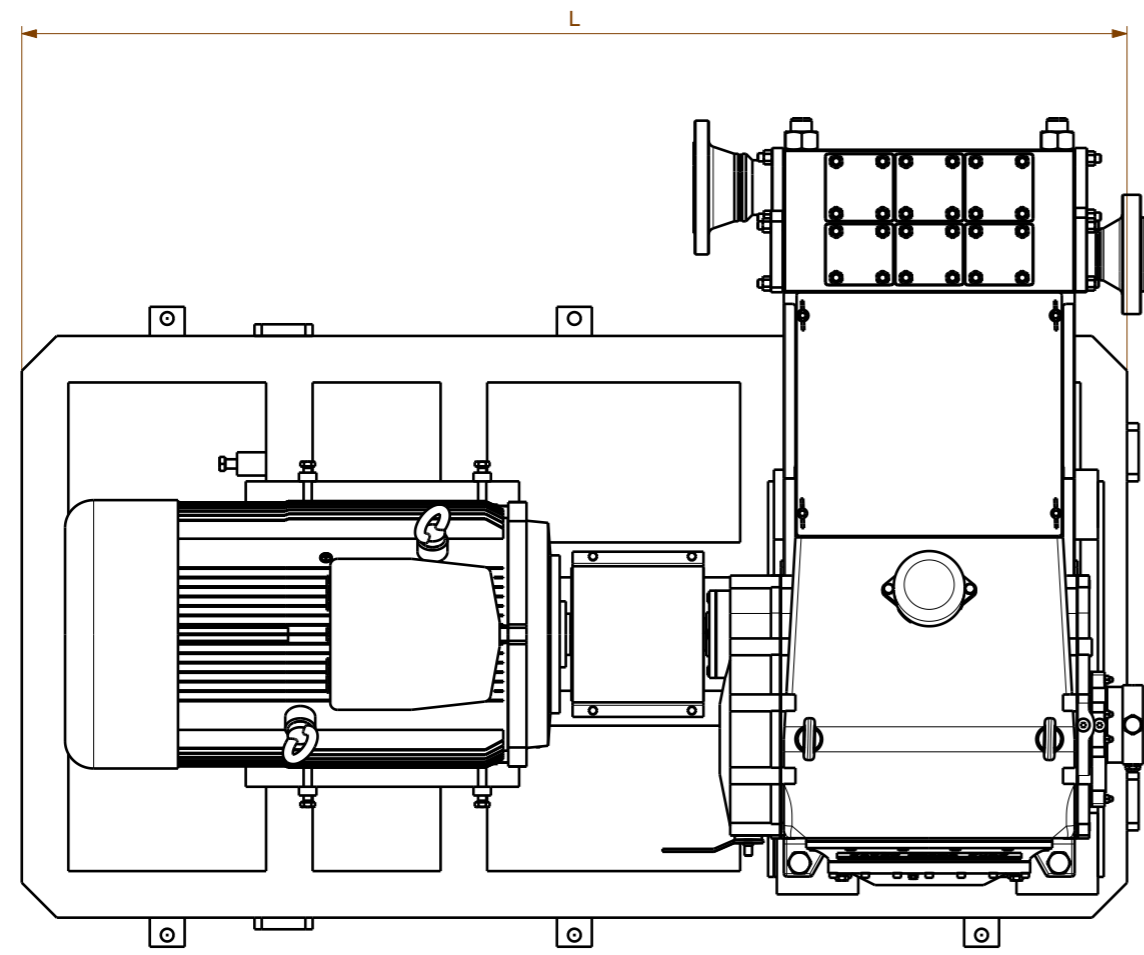
A

B

B

C


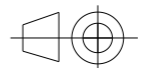
C



PUMP SIZE	L	W	H
PLG3P A	2000	1250	1050
PLG3P B	2600	1800	1310
PLG3P C	3700	1920	1520
PLG3P D	3900	2310	1750

D

D

STANDARD: API674	INTEGRAL GEARBOX	ATEX	DISK TYPE CHECK VALVE	Type: Reciprocating Plunger Single Acting Triplex pump				
Modify	Sign	Name	Date	Rev.	Date	Name	DWG No: PR97-0071-C1.GA-00	
					Design	1401/10/26	ME.Mirzabeygi	Material Class: AS PER REQUEST
					Check1	1401/10/26	G.Eslami	FORCE LUBRICATED CAPABILITY
	-	-	-	1	Check2	1401/10/26	R.Shokrollahi	LOW NOISE GEARBOX
					Approve	1401/10/26	A.Shoureshi	SERVICE: OIL & GAS
	-	-	-	2	 		CONVENIENT MAINTENANCE	
	-	-	-	3			Scale: 9:100	Sheet 1 of 1

1 2 3 4 5 6 7 8