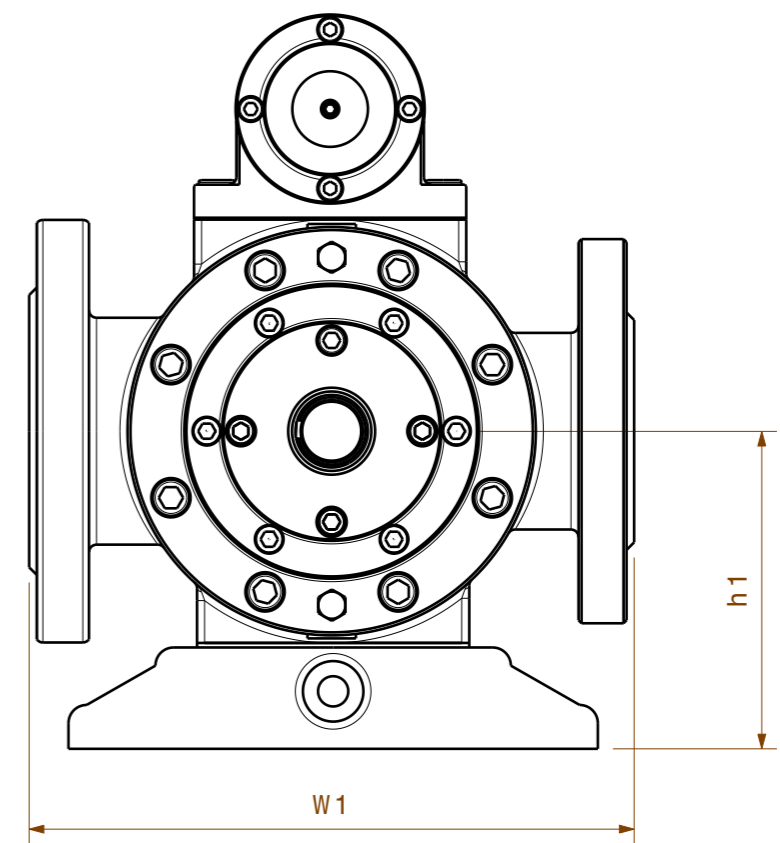
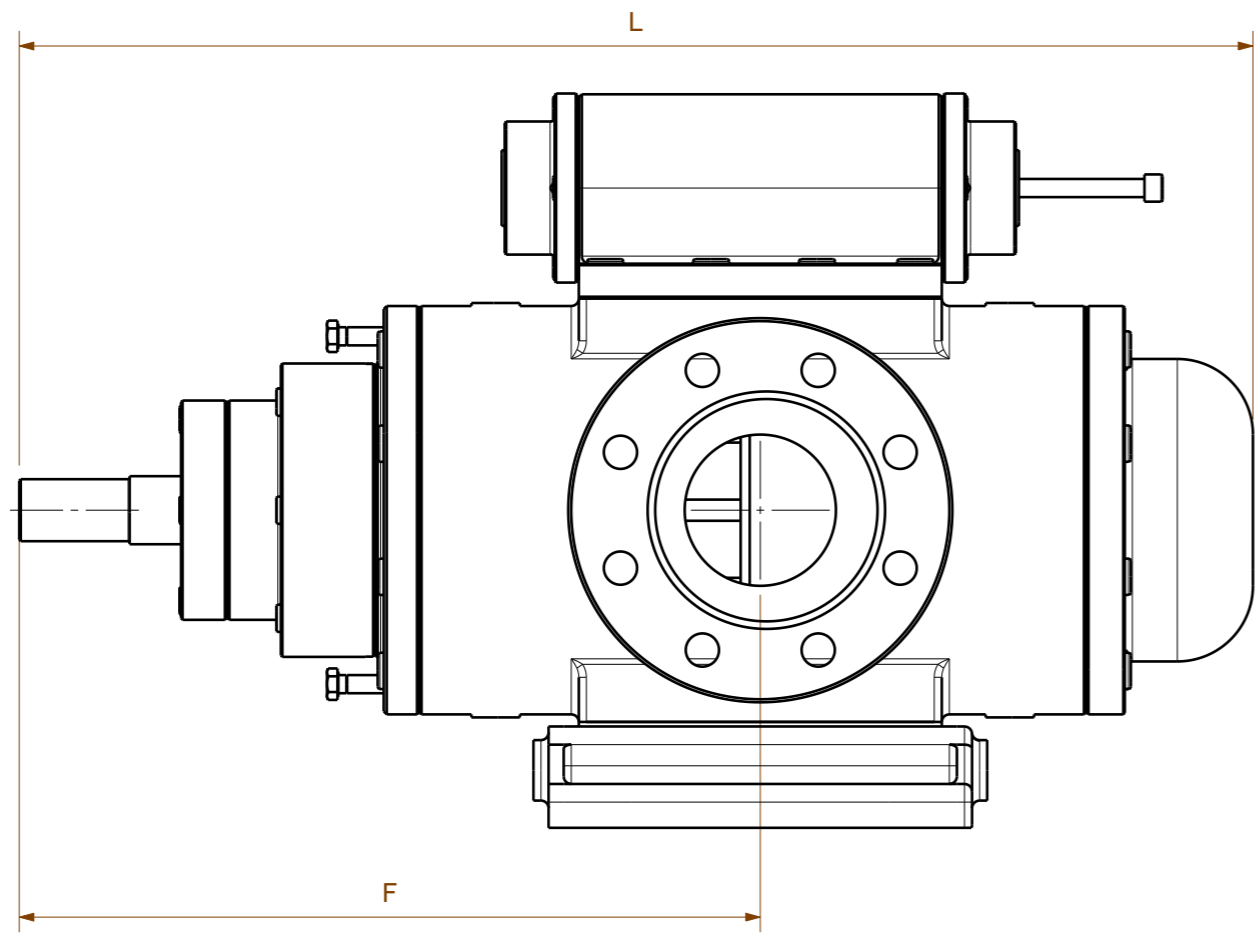


1 2 3 4 5 6 7 8

A

A

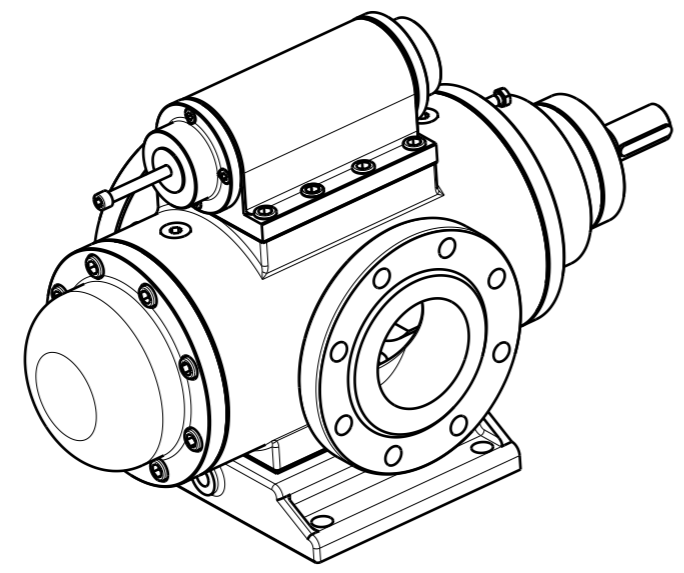


B

B

C


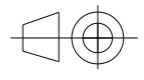
C



PUMP SIZE	L	w1	h1	F	SUC/DIS. CONNECTION
SCMUP 25	390	200	105	230	32/25
SCMUP 50	500	260	150	320	65/50
SCMUP 65	580	300	160	352	80/65
SCMUP 80	630	330	190	390	100/80
SCMUP 100	800	390	215	490	125/100
SCMUP 125	970	410	240	570	150/125
SCMUP 150	1140	500	265	715	200/150
SCMUP 200	1320	600	315	820	250/200

D

D

STANDARD: API676		UNTIMED SCREW			ATEX	INTERNAL RELIEF VALVE	Type: Positive Displacement Rotary Screw Multiple Untimed		
Modify	Sign	Name	Date	Rev.	Date	Name	DWG No:SCMUP.A1.GA-00		
					Design	1401/10/26	ME.Mirzabeygi	Material Class: AS PER REQUEST	
					Check1	1401/10/26	G.Eslami	HEATING JACKET OPTIONAL	
					Check2	1401/10/26	R.Shokrollahi	LOW NOISE OPERATION	
	-	-	-	1	Approve	1401/10/26	A.Shoureshi	SERVICE: OIL & GAS	
	-	-	-	2	 		CONVENIENT MAINTENANCE		
	-	-	-	3			Scale: 9:100	Sheet 1 of 1	Size: A3

1 2 3 4 5 6 7 8