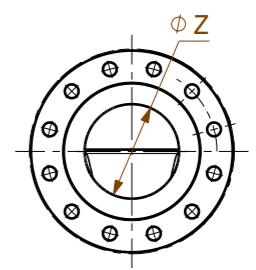
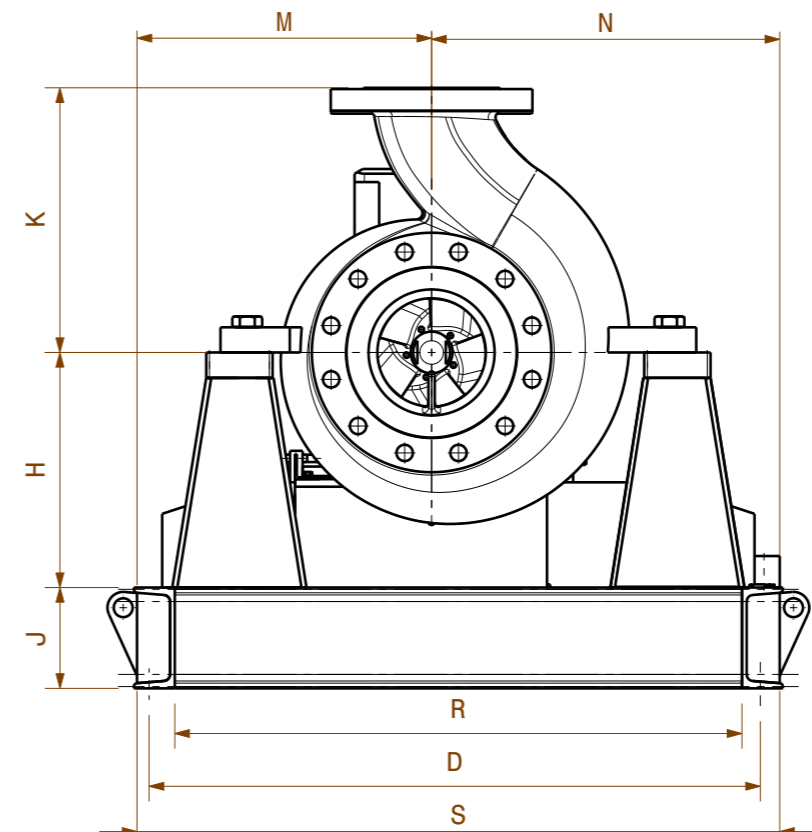
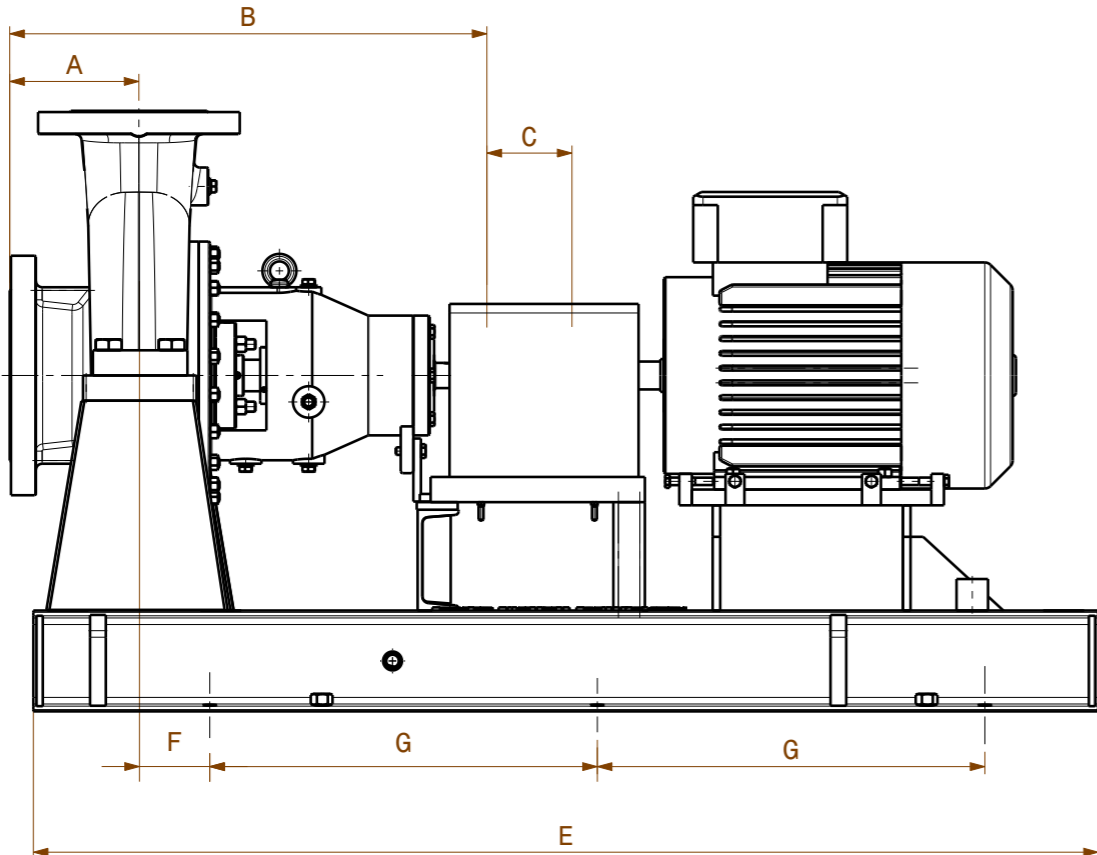
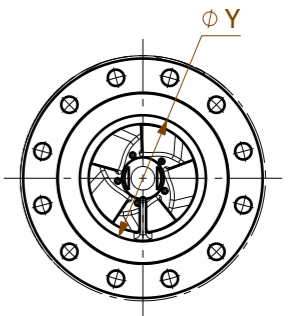


1 2 3 4 5 6 7 8

A



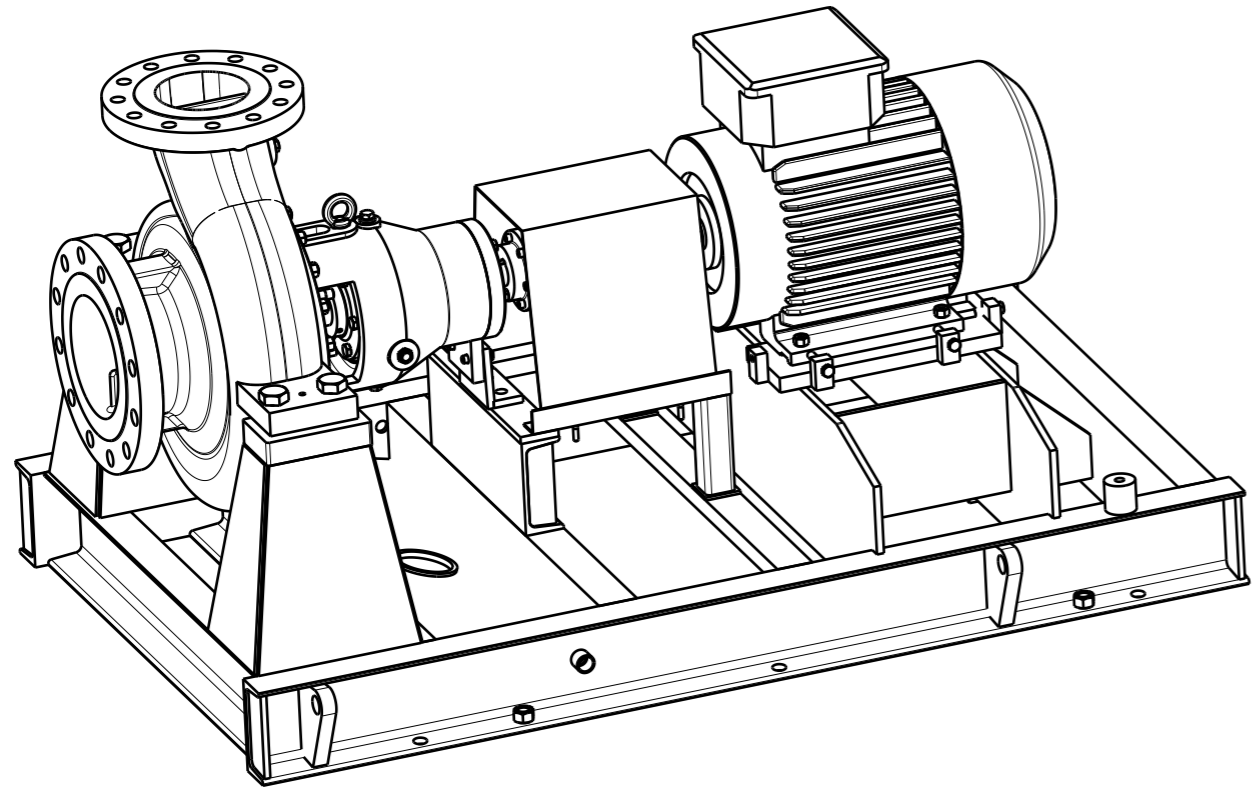
Discharg (ANSI B16.5 Class 300)



Suction (ANSI B16.5 Class 300)

B

C



PUMP SIZE	W(Kg)	A	B	C	E	F	G	H	J	K	M	N	R	D	S	Y	Z
40-80-230	300	170	805	130	1850	130	770	320	150	215	257	257	760	420	915	80	40
40-80-250	320	175	810	130	1850	150	770	355	150	265	257	257	760	420	915	80	40
80-100-250	340	270	920	180	1850	150	770	390	150	255	535	535	915	495	1070	100	80
100-150-250	360	235	885	180	2150	150	610	370	150	265	535	535	915	495	1070	150	100
150-150-250	360	175	830	180	2450	205	715	370	150	280	535	535	915	495	1070	150	150
40-80-330	340	195	895	130	1850	150	770	290	150	300	535	535	915	495	1070	80	40
80-100-330	370	190	890	180	2150	165	615	405	200	330	535	535	915	495	1070	100	80
100-150-330	400	340	1040	180	2750	216	610	460	200	355	535	535	915	495	1070	150	100
150-200-330	420	225	950	205	3150	205	950	510	200	380	775	775	1400	735	1550	200	150
50-100-380	400	205	920	180	2450	180	715	320	150	330	535	535	915	495	1070	100	50
80-150-380	465	210	925	180	2750	185	610	405	200	315	535	535	915	495	1070	150	80
100-150-380	490	180	905	180	3150	180	950	405	200	400	775	775	1400	735	1550	150	100
200-250-380	600	260	985	180	2750	240	610	560	200	410	535	535	915	495	1070	250	200
200-250-530	920	255	1025	180	3150	255	950	610	200	480	775	775	1400	735	1550	250	200

D

1 2 3 4 5 6 7 8

General Tolerance: ISO 7168 class F		General Surface Roghness: 3.2 / 1.6		Qty: -	Weight: AS PER TABLE	Assembly Name: OUTLINE	
Modify	Sign	Name	Date	Rev.	Data	Name	Dwg. No:
--				1	Design	G.Eslami	PR95.0046-C1.GA-00
--				2	Check	J.Alishah	Pump Type : CENTRIFUGAL OVERHUNG FLEXIBLY COUPLED HORIZONTAL CENTERLINE MOUNTED
--				3	Approve	A.Shoureshi	
 www.petrorahamump.ir						Scale: 1:12	
						Sheet 1 of 1	
						Size:A3	

A

B

C

D