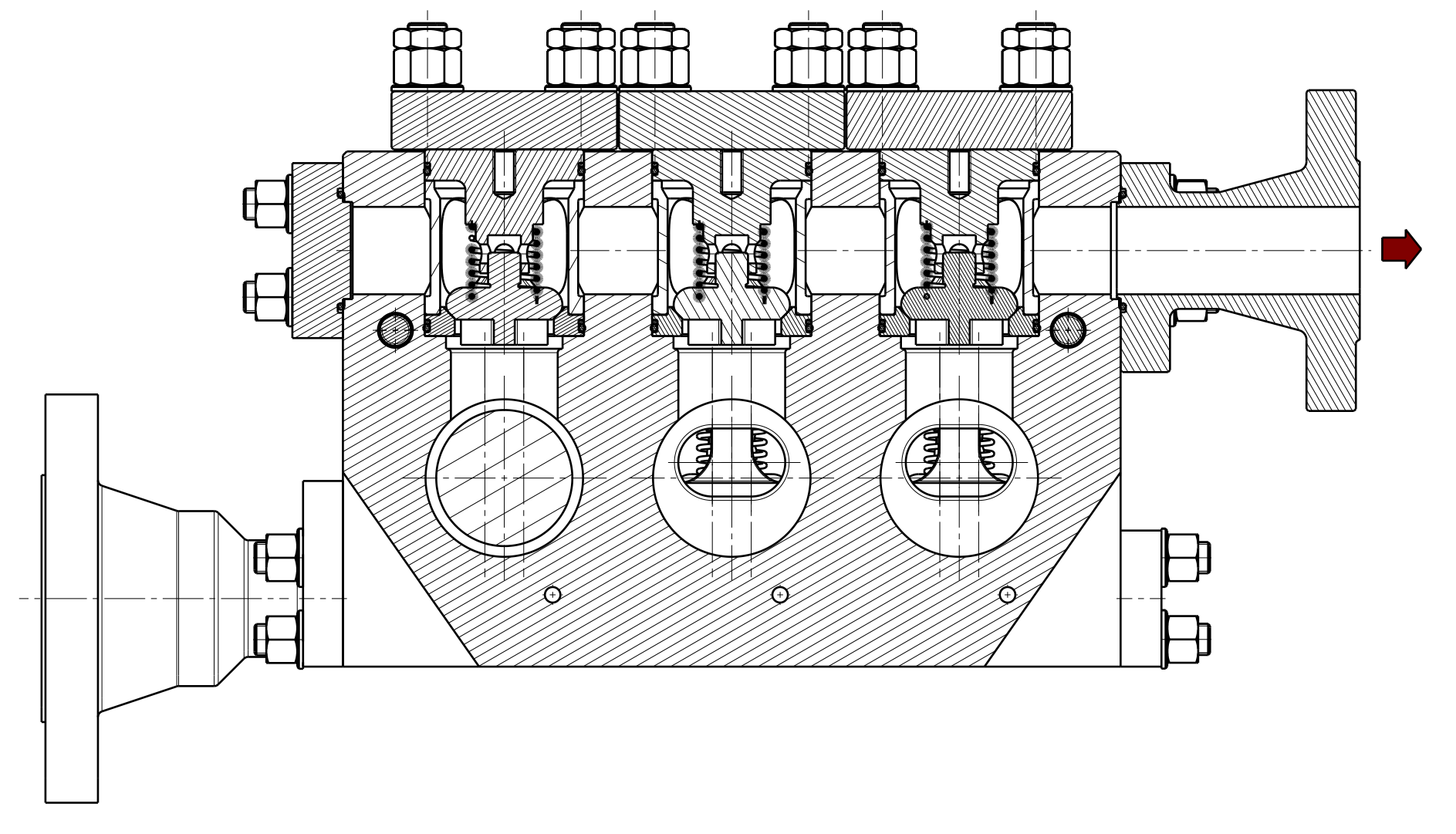
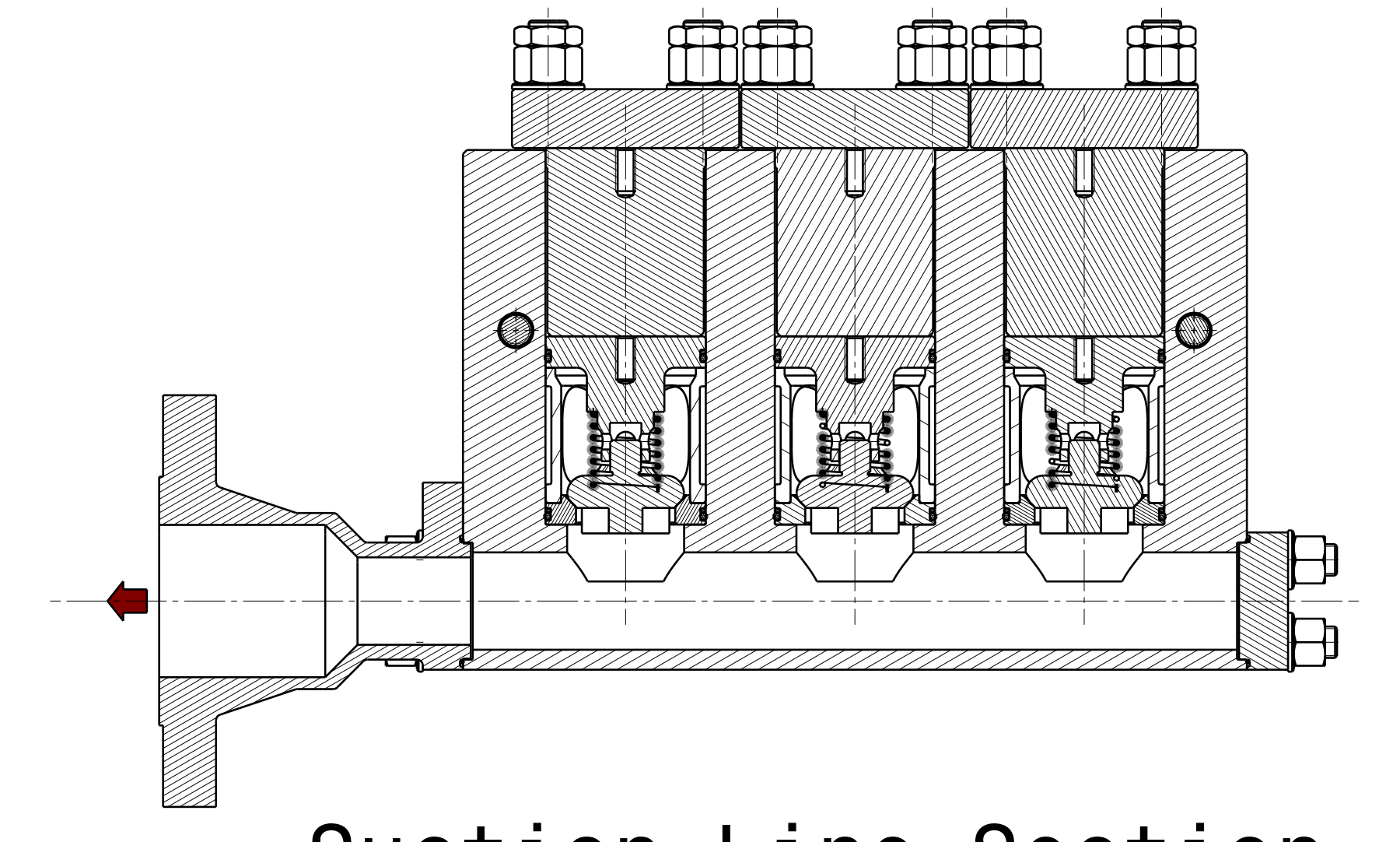


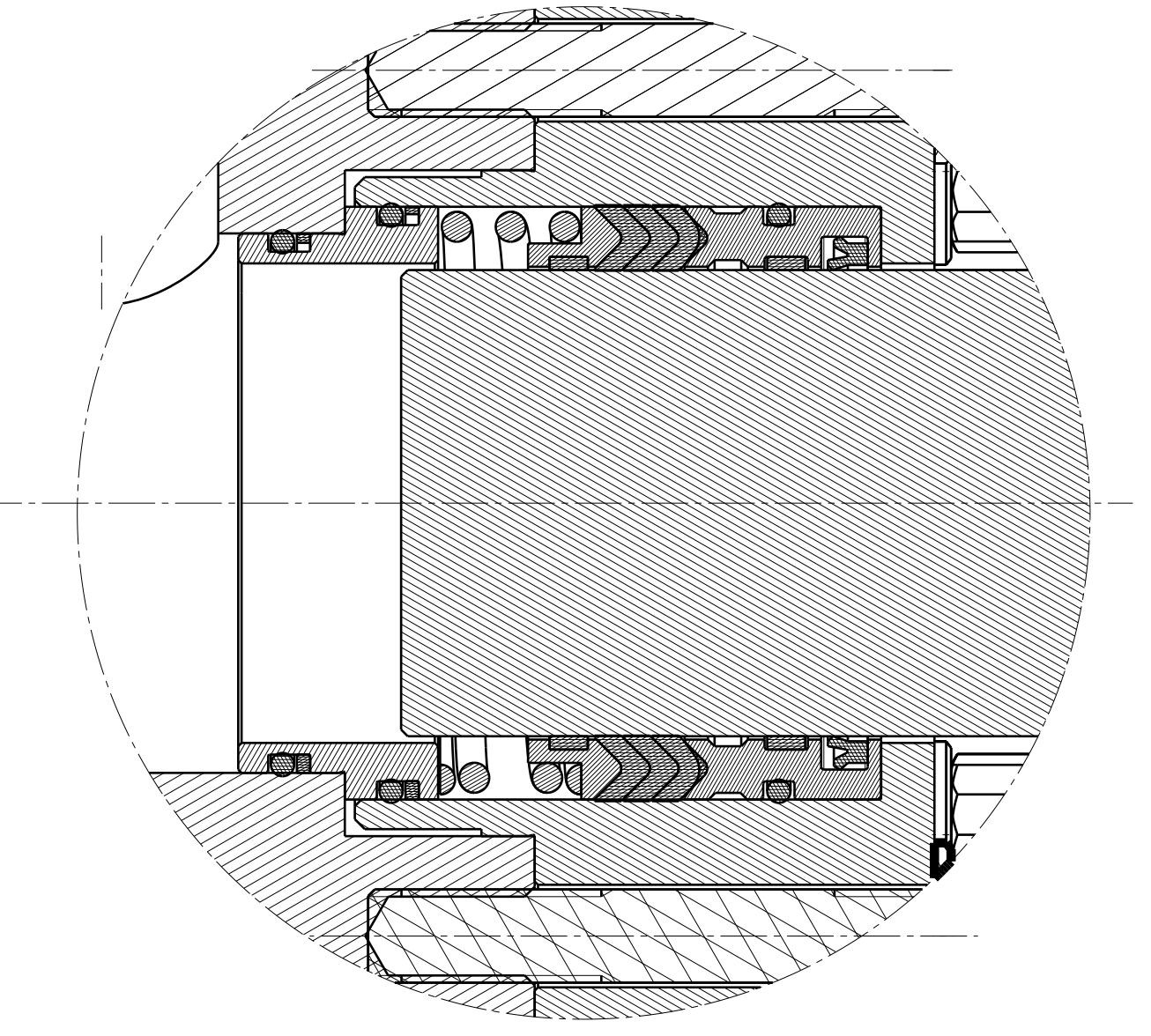
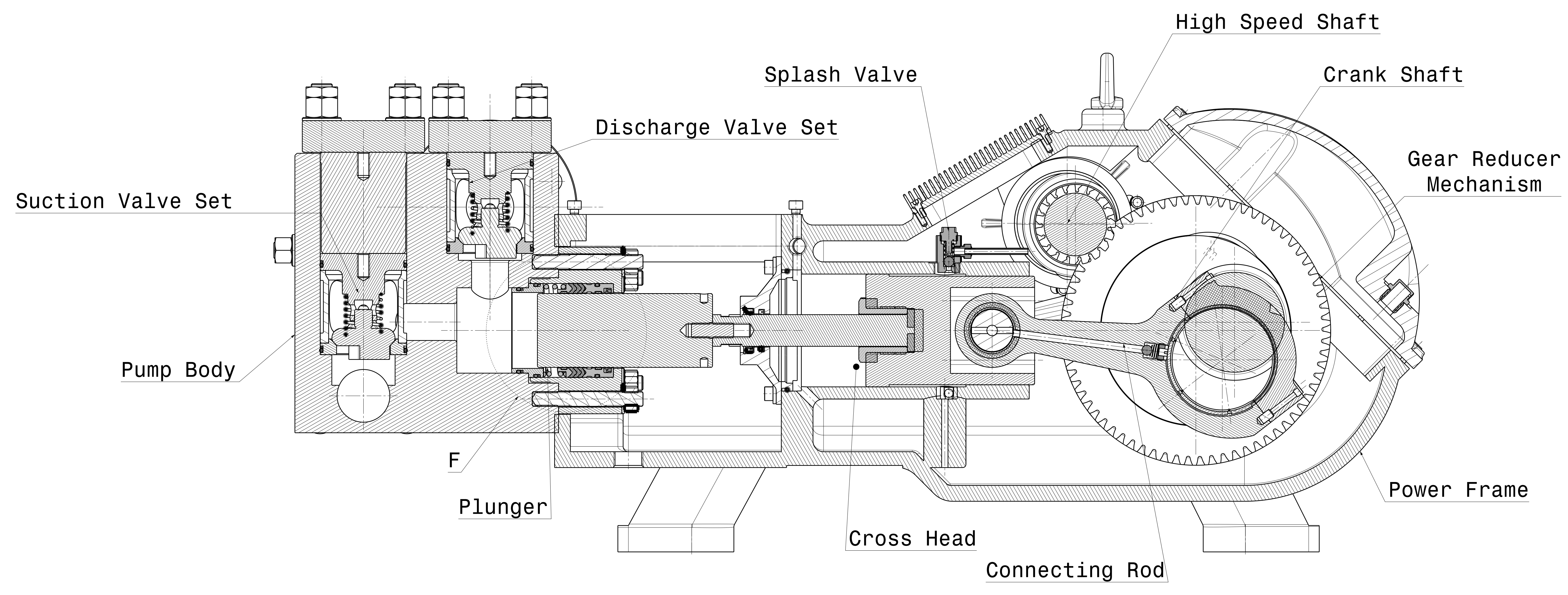
Crank Mechanism Section



Discharge Line Section

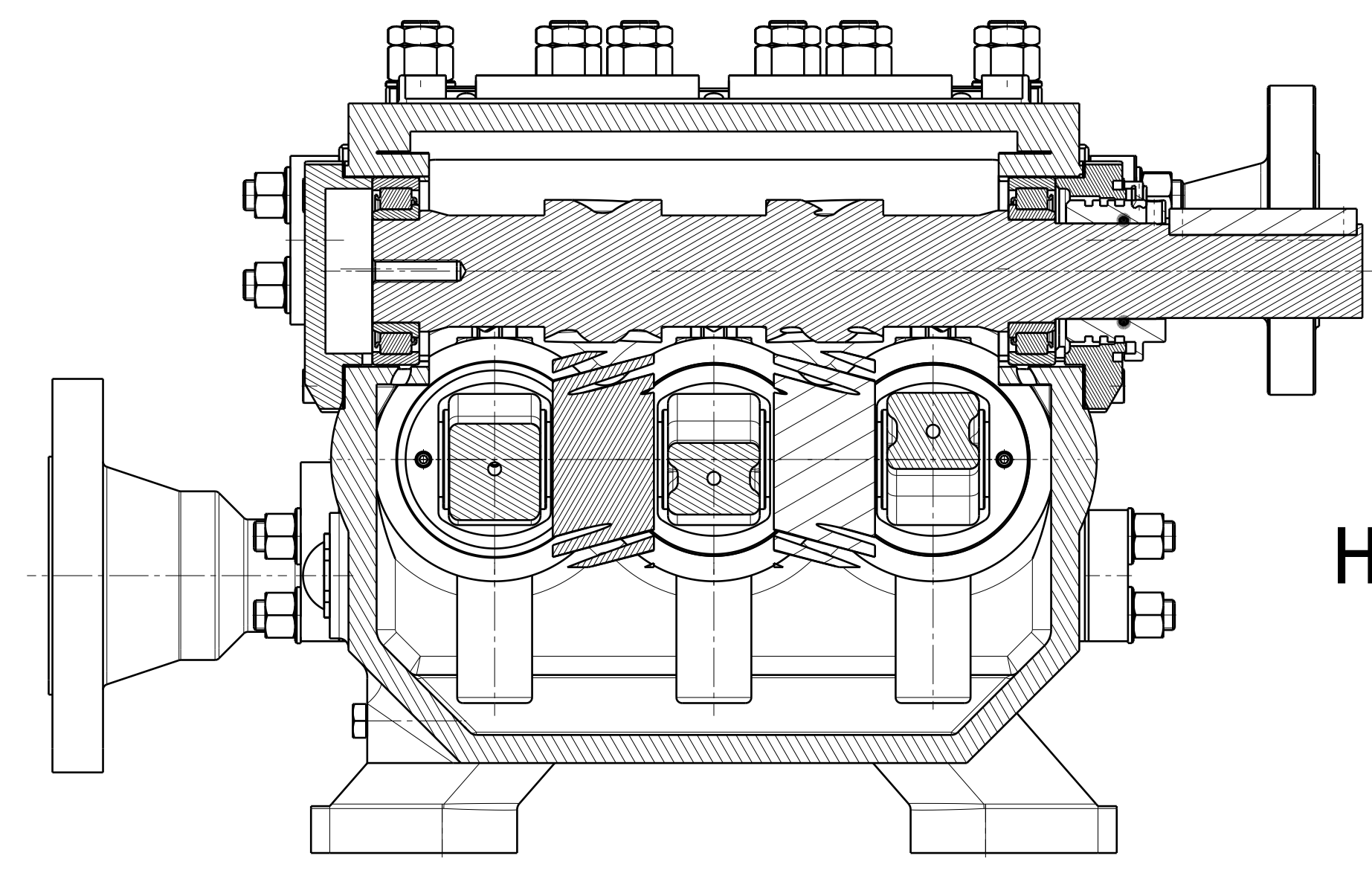


Suction Line Section




Detail F
Scale: 1:1

Seal Cartridge Section



High Speed Shaft Section

STANDARD: API674	INTEGRAL GEARBOX				ATEX	DISK TYPE CHECK VALVE	Type: Reciprocating Plunger Single Acting Triplex pump		
Modify	Sign	Name	Date	Rev.	Date	Name	DWG No: PR97-0071-C1.GA-00		
					Design	1401/10/26	ME.Mirzabeygi	Material Class: AS PER REQUEST	
					Check1	1401/10/26	G.Eslami	FORCE LUBRICATED CAPABILITY	
					Check2	1401/10/26	R.Shokrollahi	LOW NOISE GEARBOX	
Approve	1401/10/26	A.Shoureshi	SERVICE: OIL & GAS						
	-	-	-	2			CONVENIENT MAINTENANCE		
	-	-	-	3			Scale: 9:100	Sheet 1 of 1	Size: A3