

1 2 3 4 5 6 7 8

A

A

B

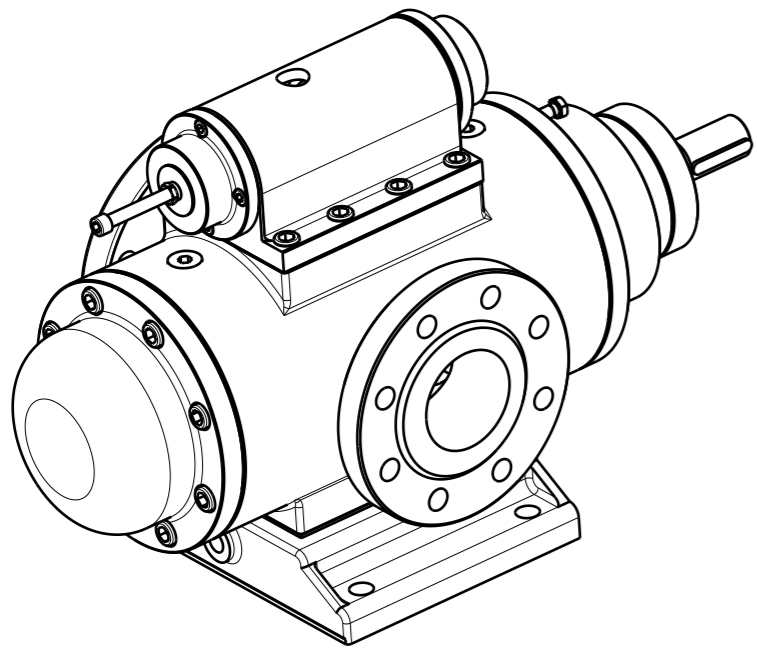
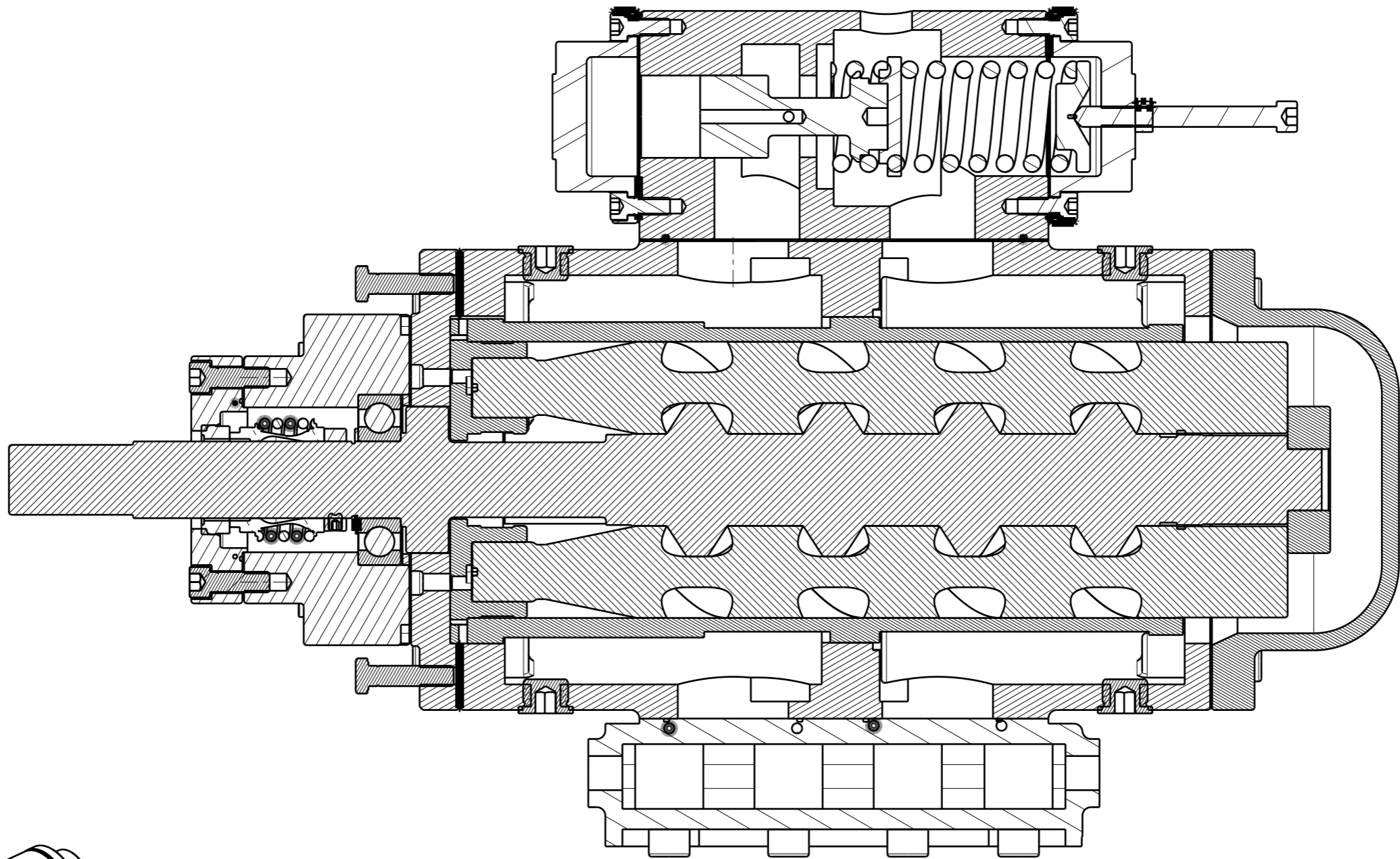
B


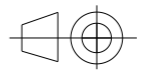
C

C

D

D



STANDARD: API676	UNTIMED SCREW				ATEX	INTERNAL RELIEF VALVE	Type: Positive Displacement Rotary Screw Multiple Untimed	
Modify	Sign	Name	Date	Rev.	Date	Name	DWG No:SCMUP.A1.SD-00	
					Design 1401/10/26	ME.Mirzabeygi	Material Class: AS PER REQUEST	
	-	-	-	1	Check1 1401/10/26	G.Eslami	HEATING JACKET OPTIONAL	
					Check2 1401/10/26	R.Shokrollahi	LOW NOISE OPERATION	
					Approve 1401/10/26	A.Shoureshi	SERVICE: OIL & GAS	
				2	 		CONVENIENT MAINTENANCE	
			3	Scale: 9:100			Sheet 1 of 1	Size: A3

1 2 3 4 5 6 7 8